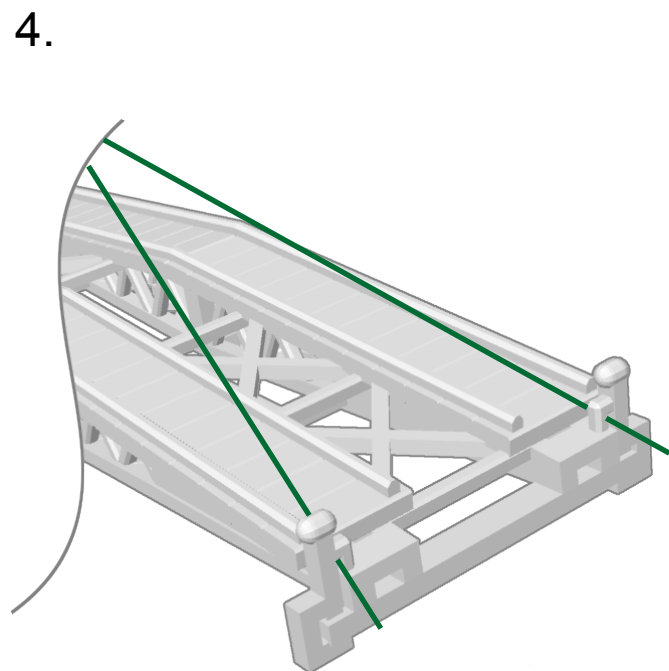
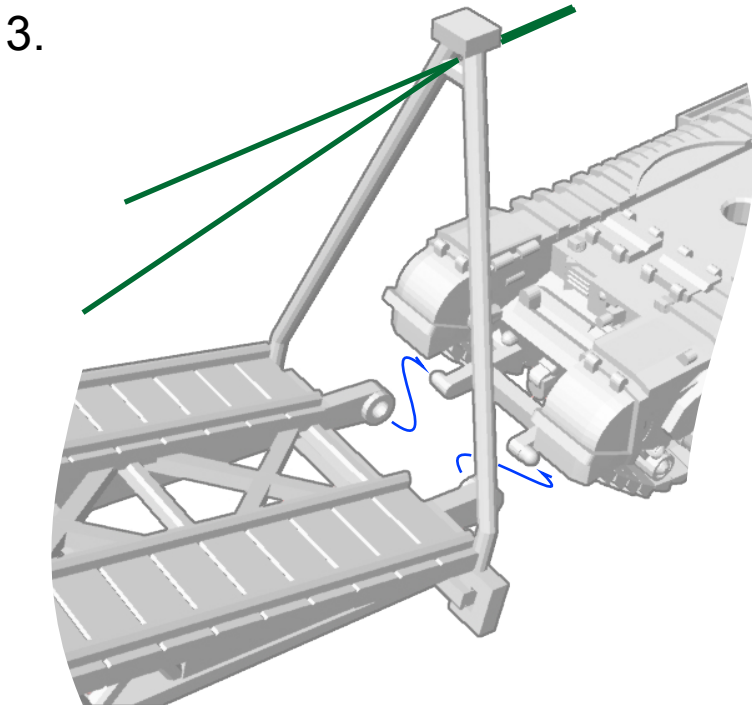
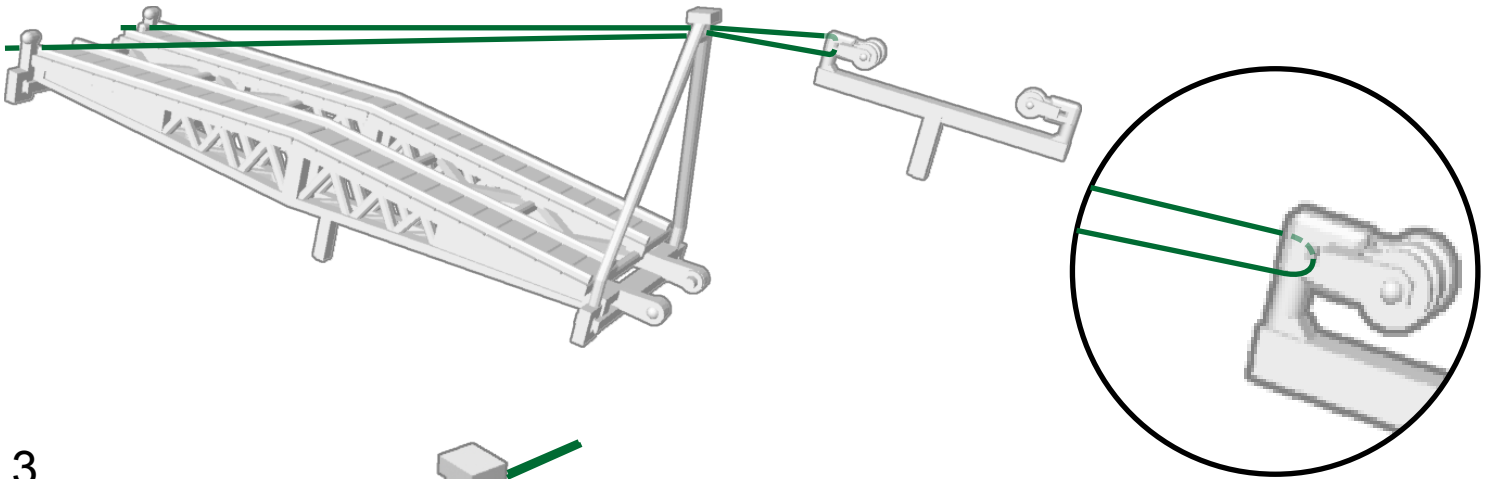
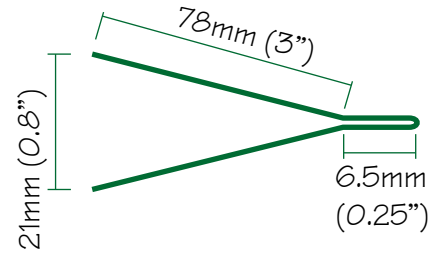
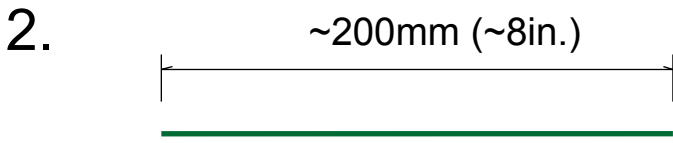
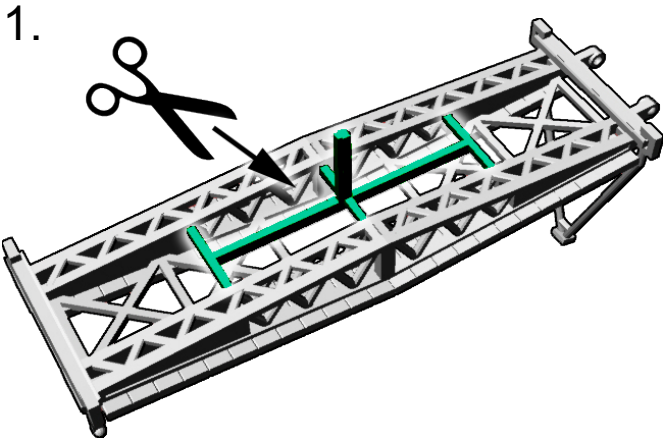


1:144 CGD WWII Churchill SBG Assembly instructions V3



5. $\sim 200\text{mm}$ ($\sim 8\text{in.}$)

